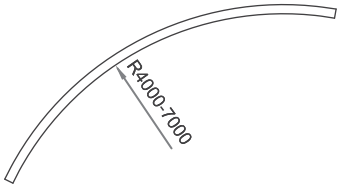
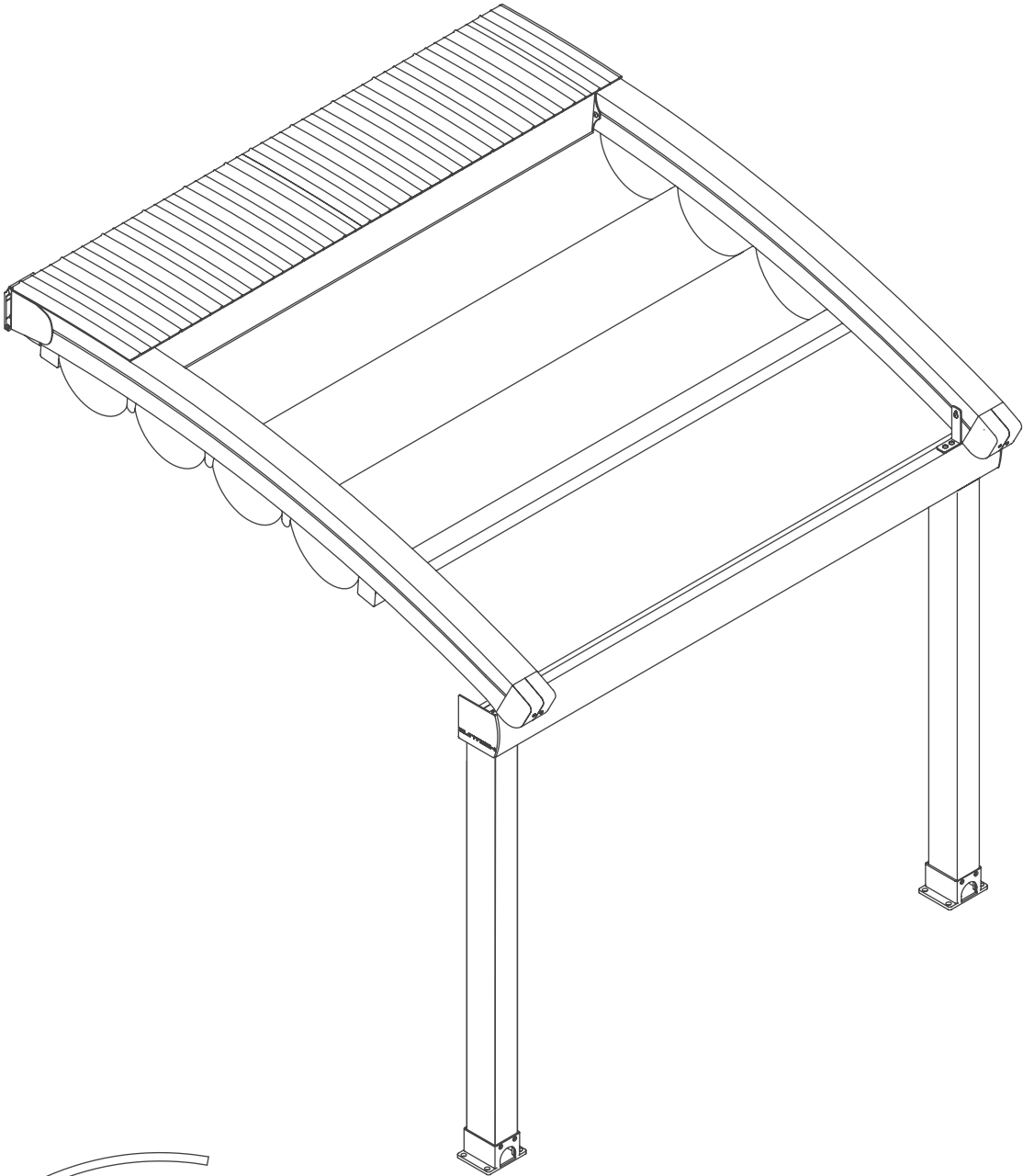


Radian



Radian retractable curved pergola system

The RADIAN retractable curved pergola system provides a modern outdoor covering system to allow outdoor areas to be used in even the worst of weather conditions. The system offers a wind rating up to Beaufort class 11 (up to 117km/h).

The system is manufactured to size using high grade 6063 extruded aluminium profiles finished with thermosetting powder coating which provides superior overall performance for exterior product applications. All bolts, screws and pins are high grade stainless steel to ensure extended system life.

The RADIAN curved rafter profiles (LT: 80mm x 125mm / XL: 110mm x 160mm) have been designed with unique water guard side channels and cast aluminium end plates to allow for projection dimensions up to LT: 7m / XL: 11m per system. The width dimensions are customised according to site requirements and available in any size up to 13m. The RADIAN system offers up to LT: 91sqm / XL: 143sqm of protection with a touch of button but when required linking multiple systems is also possible and made easy by our patented storm channel joining system that ensures 100% waterproof join every time.

Remote controlled motorisation is provided by utilising European technology through a custom built direct drive motor system to ensure smooth and quick operation at 26RPM. The optional hi powered LED-TEC lighting system provides a practical touch of class and when coupled with a remote dimming controller allows the user to change the mood to suit the surrounding environment.

The heart of the system is driven by the Suntech F3 eight wheeled slider carriages (each F3 slider carriage has a load limit of 600kgs) that incorporates a triple layer barrier system and works in conjunction with a timing belt that has been reinforced with multiple internal stainless steel cables to provide a pulling strength of over 966kg. This tension is applied to the fabric membrane to allow an angle of 6 degrees fall possible and ensure all water drains away in the internal gutter system.

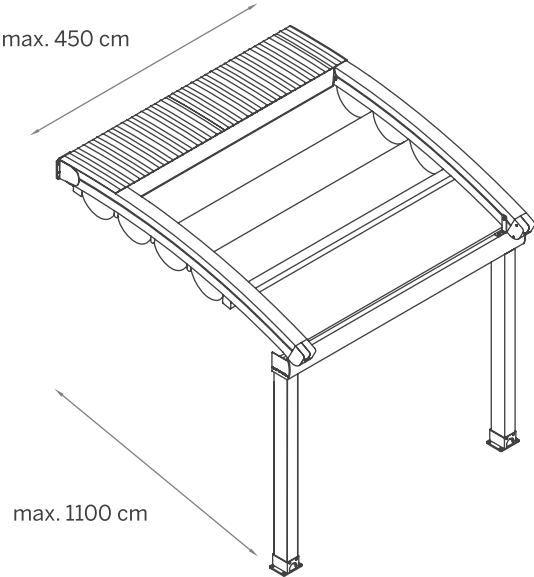
The fire rated and 100% waterproof architectural membrane is available in a range of colours in both opaque and transparent that provides maximum stability and resistance to temperature, moisture and dirt. It does not shrink or bag, and the acrylic top coating makes it very easy to clean for years to come. When not in use the fabric is neatly retracted under the systems hood to provide protection from the elements when not required.

To ensure the highest level of protection Suntech systems focus on all the details, this is why all Suntech systems come standard finished with Stormguard soft touch edge seal on all parameters. Stormguard provides the ultimate protection against rain and draught intrusion around the outside of the system and is only available on our systems. Stormguards soft touch edge seal is produced from an extra soft & flexible rubber to ensure the best possible protection from the elements.

Radian

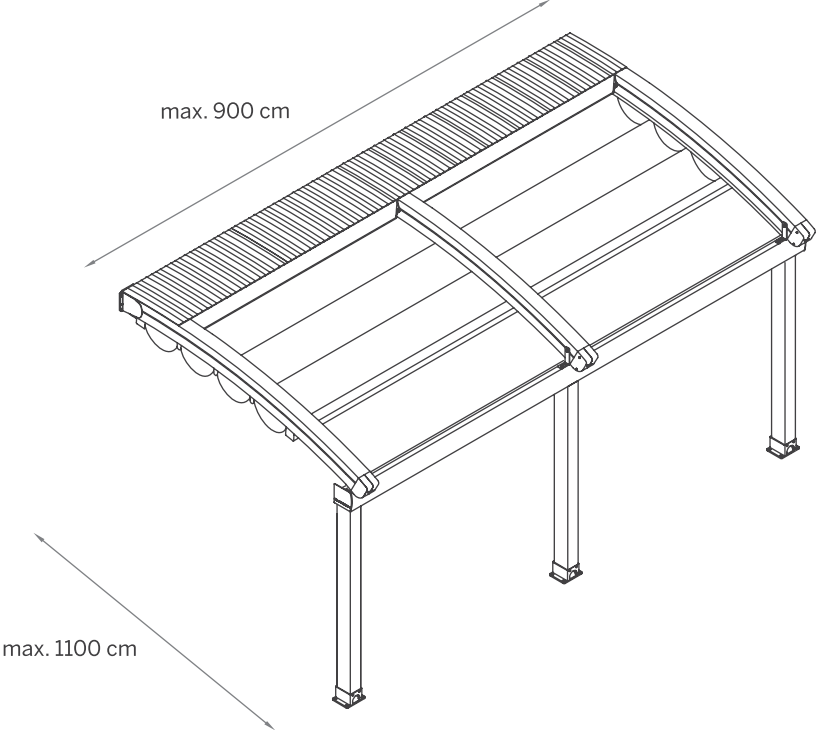
One Module

200 cm > 450 cm
One Module with one motor & 2 rafters



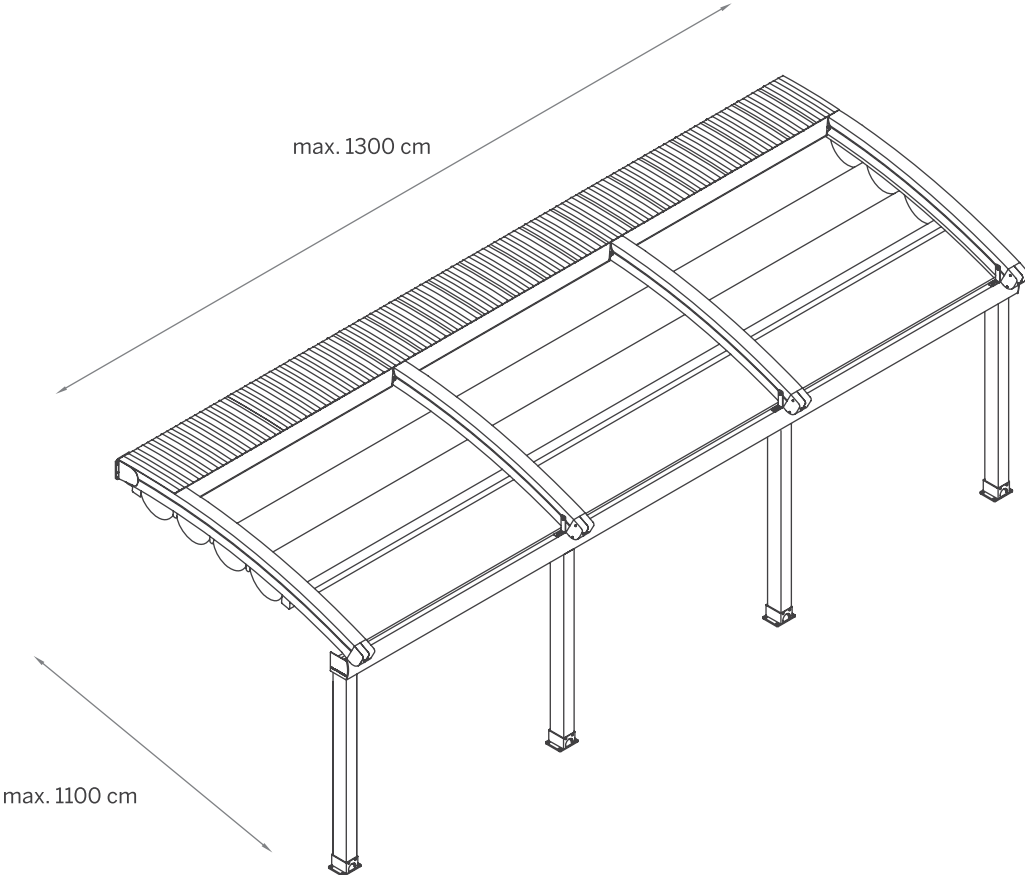
Two Modules

450 cm > 900 cm
Two Modules with one motor & 3 rafters

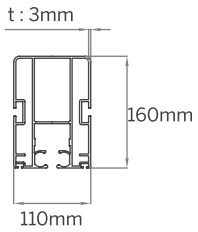
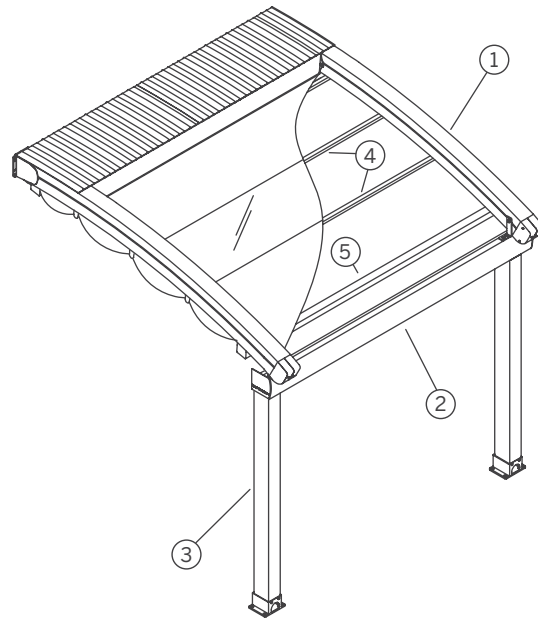


Three Modules

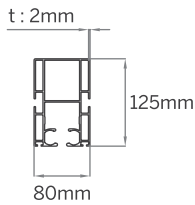
900 cm > 1300 cm
Three Modules with two motors & 4 rafters



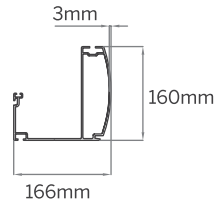
Radian



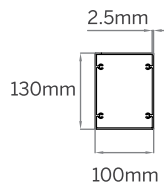
① Rafter



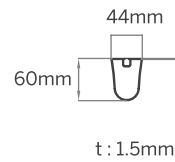
LT



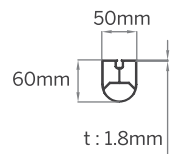
② Gutter



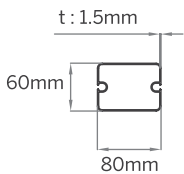
③ Post



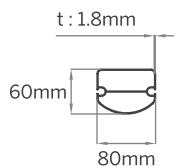
④ Fabric Support (Standart)



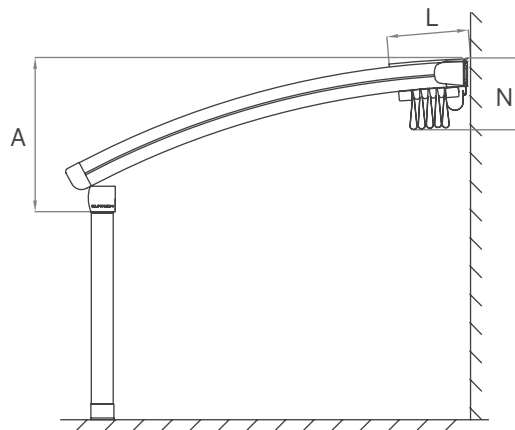
④ Fabric Support (HDD Lux)



⑤ Puller Profile (Standart)



⑤ Puller Profile (HDD Lux)



Radian LT

	Fabric Height	Hood	Fall	Fab.Sup.Profiles
	(N*) mm	(L*) mm	(A*) mm	pc*
300	387	727	837	8
350	389	772	988	9
400	393	830	1032	10
450	396	876	1214	11
500	396	948	1333	12
550	404	1034	1434	14
600	409	1110	1510	15
650	410	1153	1555	16
700	415	1190	1749	17

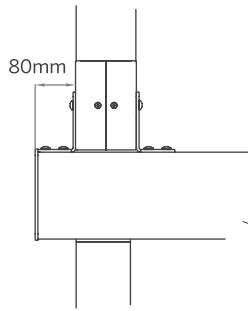
*Values can vary by different radius values.

Radian XL

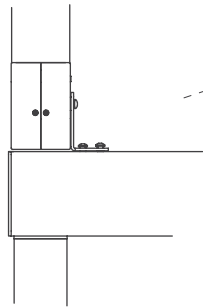
	Fabric Height	Hood	Fall	Fab.Sup.Profiles
	(N*) mm	(L*) mm	(A*) mm	pc*
300	412	707	866	8
350	415	745	1018	9
400	418	801	1112	10
450	421	857	1243	11
500	421	908	1363	12
550	430	1027	1462	14
600	434	1083	1538	15
650	436	1133	1583	16
700	440	1190	1778	17
750	440	1241	1563	18
800	444	1297	1723	19
850	446	1342	1894	20
900	450	1409	2075	21
950	454	1459	1925	22
1000	457	1572	2087	24
1050	461	1626	2256	25
1100	465	1682	2436	26

*Values can vary by different radius values.

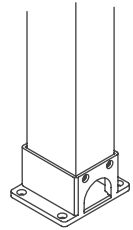
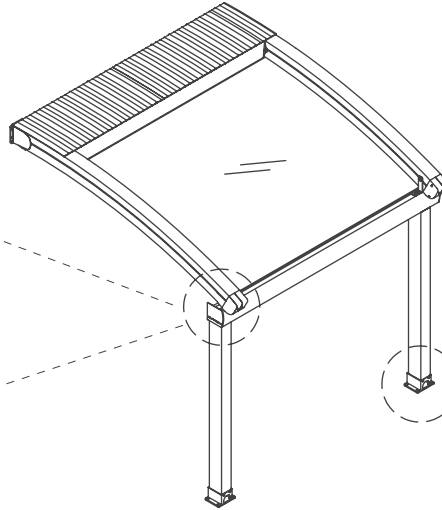
Radian



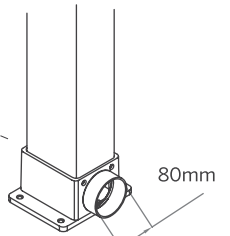
Type - A



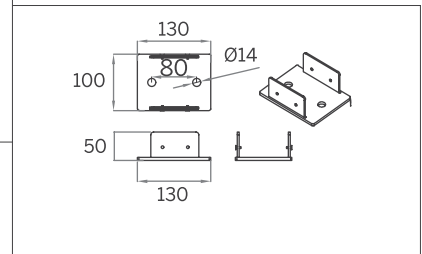
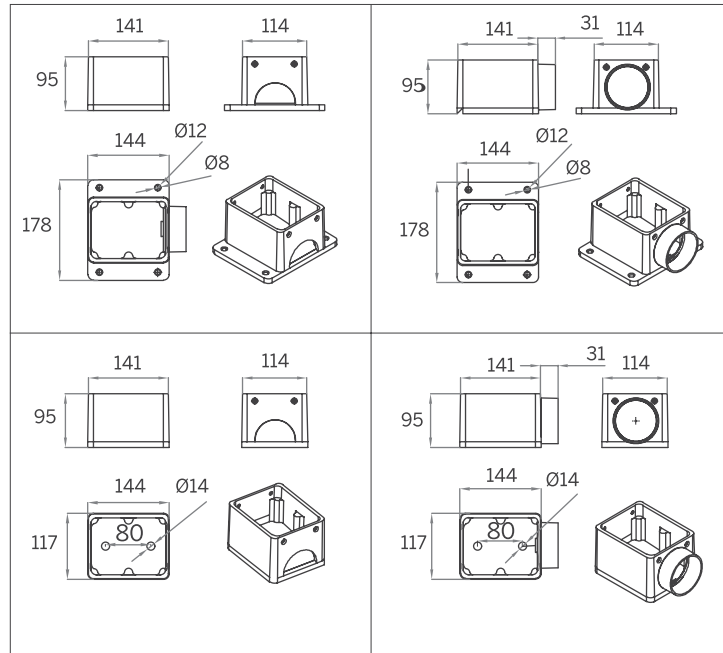
Type - B



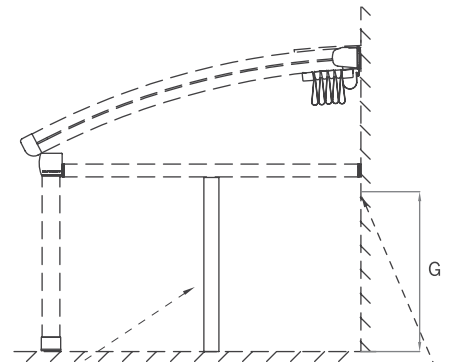
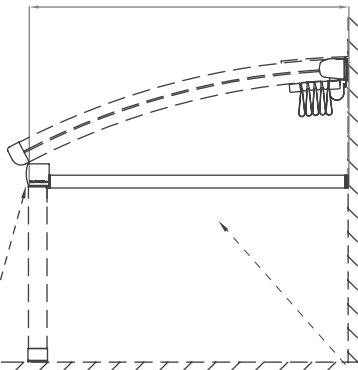
Type - A



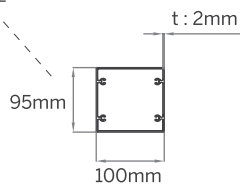
Type - B



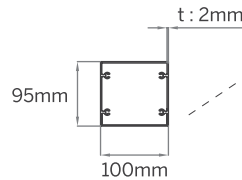
Y



Gutter Connection



Side Rafter

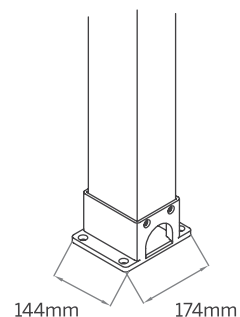
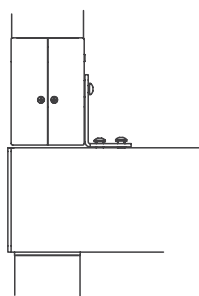
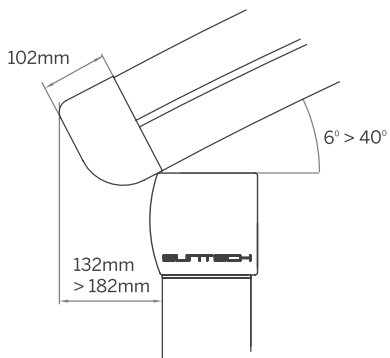
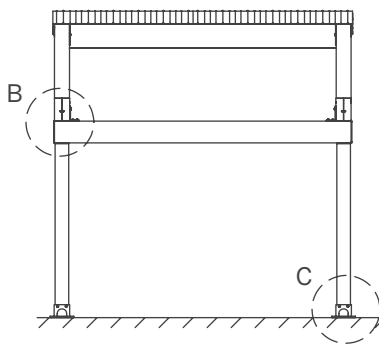
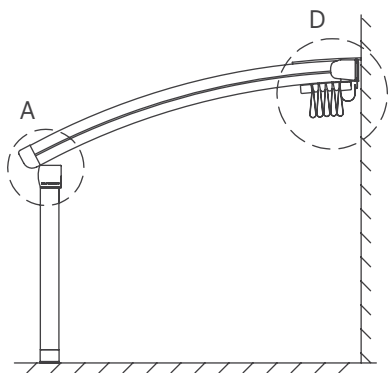


Support Column of Side Rafter

Support Column of Side Rafter is installed when length of side rafter is over 800 cm



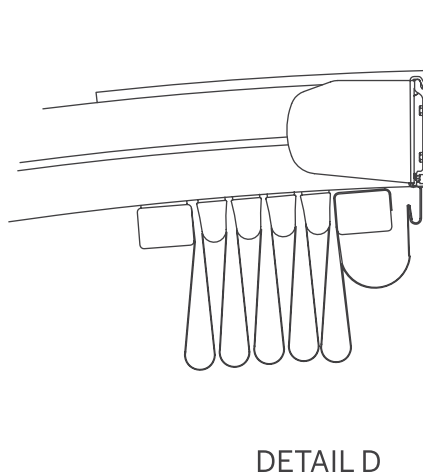
Wall Connection



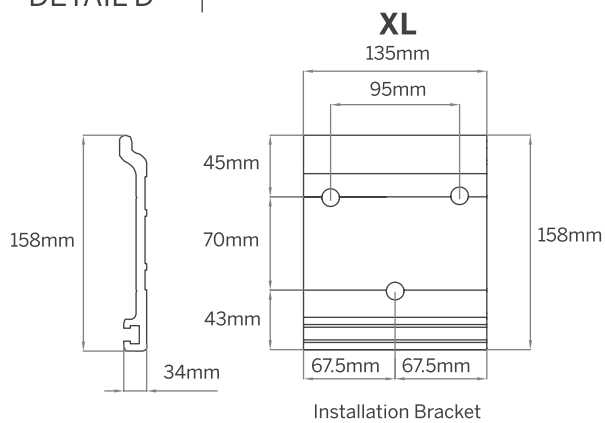
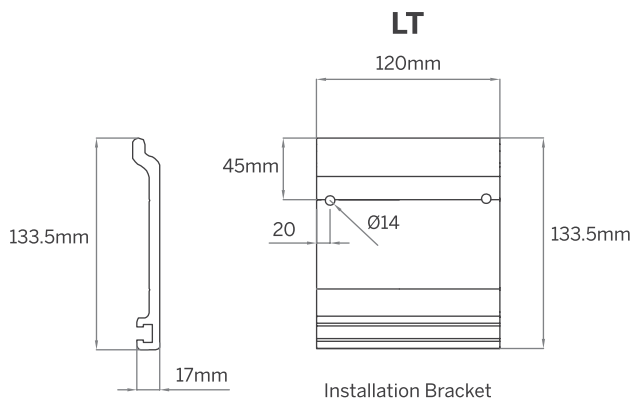
DETAIL A

DETAIL B

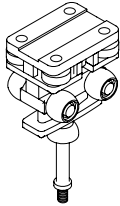
DETAIL C



DETAIL D

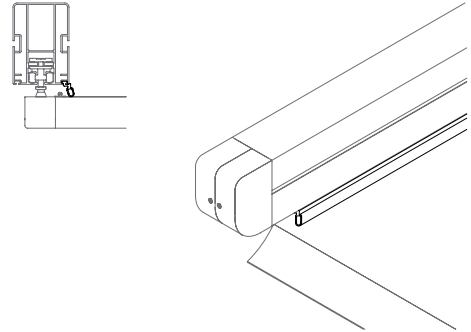


Radian



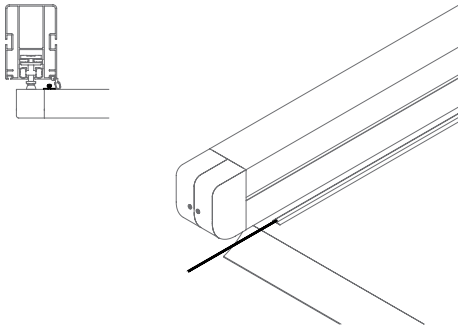
F3 Eight wheel slider

Four horizontal & four vertical rollers working together for perfectly smooth operation every time. The F3 eight wheel system is proven to remove the jamming issue that occurs with the 4 wheel system and can take loads of upto 600KG.



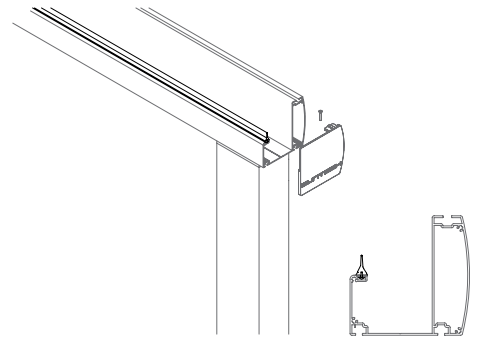
Rafter stormguard edge seal

The rafter Stormguard edge seal stops water from dripping over the side of the system by providing a soft cushioning barrier along the side of the system.



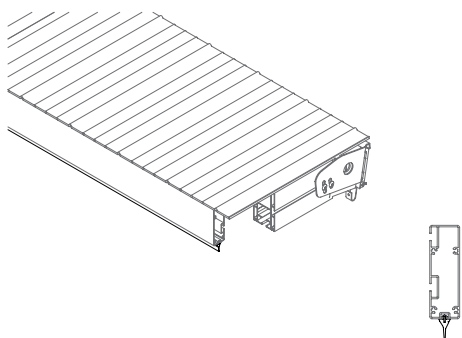
Fabric anti-drop edge cord with electrical cable

The fabric anti-drip edge cord with integrated lighting electrical cable works in conjunction with the Stormguard edge seal to prevent any water leaks over the side of the system.



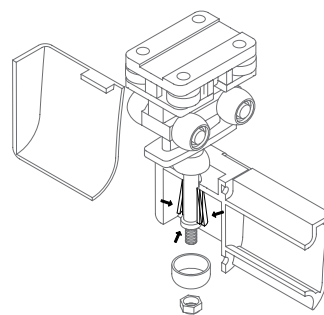
Gutter stormguard seal

The Stormguard gutter seal provides a perfect seal to prevent water leaks along the front of the system from driving rain or splashing from the gutter.



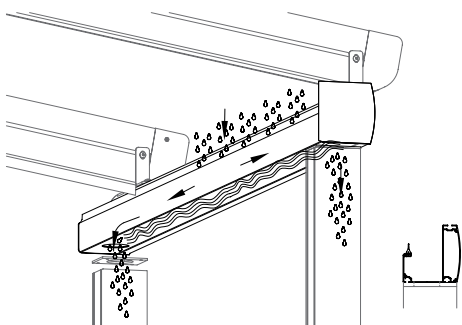
Hood stormguard seal

The Stormguard hood seal provides the perfect seal to prevent driving rain & wind coming in under the hood profiles.



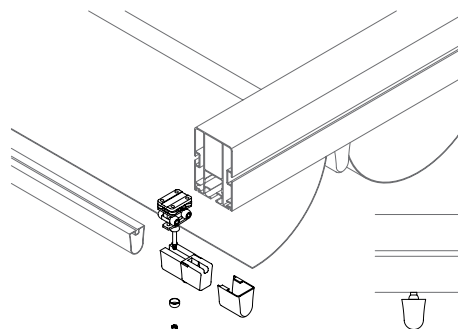
F3 slider easy clip installation

The F3 system has been designed for ease of use, to save time on installations and reduce the number of staff required. Each F3 slider can take loads of up to 600KG once in place.



Integrated gutter & internal drainage system

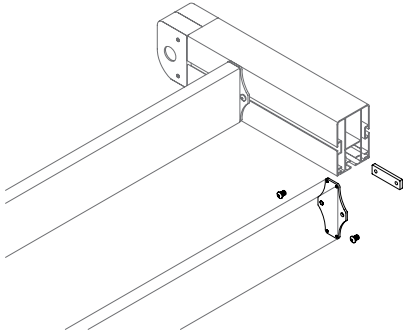
The integrated gutter system provides the perfect solution for water drainage.



F3 slider and fabric profile assembly

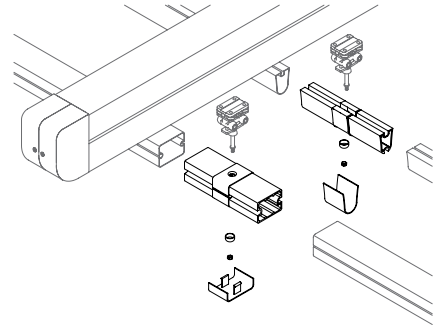
The system has been designed for ease of assembly to save time on installations and reduce the number of staff required.

Radian



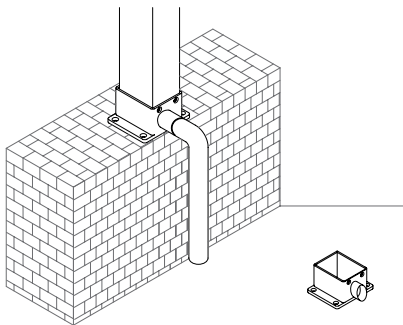
Motorbox support & hood support profile easy installation

Each support profile is easy to install and simple to adjust at the time of installation.



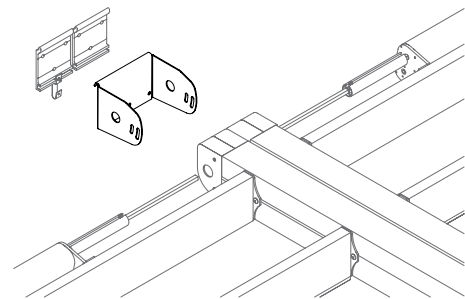
Easy clip intermediate joints (for 2 & 3 module systems)

The Easy clip intermediate joints have been designed for ease of site assembly to save time and reduce the number of staff required.



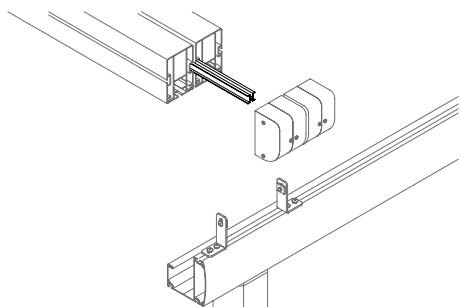
Base plate with external spout

This base plate provides a water dispersal solution.



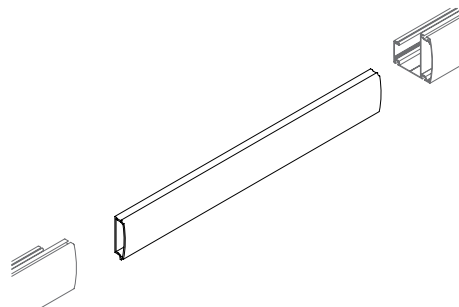
Double rafter wall bracket kit

An advanced solution for installing two rafters at once.



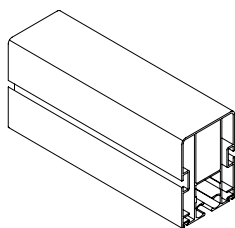
Storm channel for joining system

The storm channel is patented solution for joining two systems side by side with a waterproof join.



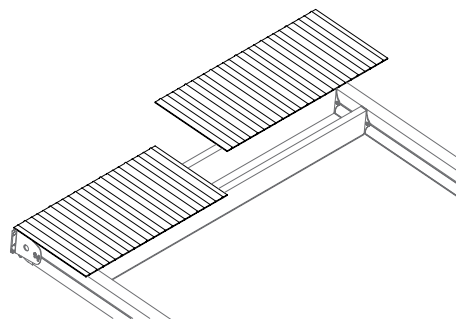
Gutter profile joining bar

A smart solution for joining the gutter profiles.



Rafter profile with side channels for easy installation

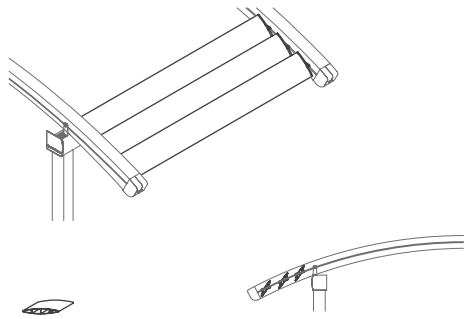
The Suntech rafter profiles are designed with functional side channels for easy installation.



Hood profile sheets

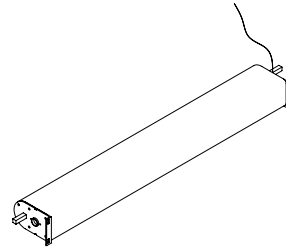
Suntech's hood profile sheets provide an attractive covering solution for the system when not in use. The low profile aesthetic design offers additional protection to the system with a chic touch.

Radian



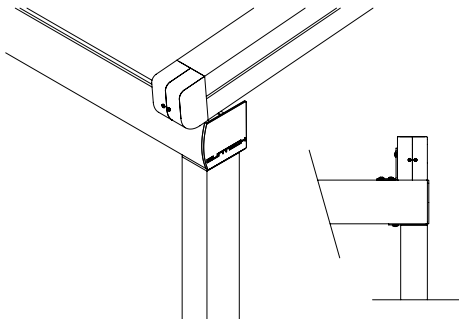
Aerofoil Louvres

The addition of Aerofoil louvres can provide added shade when the system is closed.



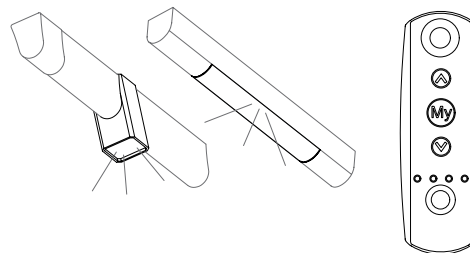
Compact 26rpm direct drive motor box

The Suntech direct drive motor system is a quick and efficient system that drives all conveyor rafters at the same time. The low profile design also allows the fabric to be stored underneath the motor which saves additional space.



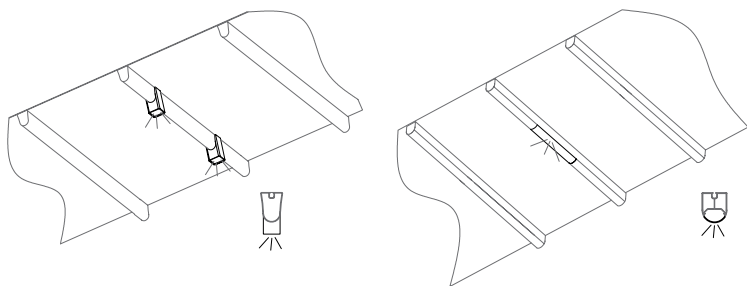
Gutter flush with rafter

Gutter solution when the system is installed next to a wall or no overhang of the gutter is required.



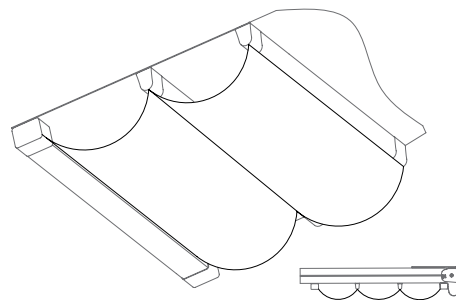
LED-TECH dimmer setup

LED-TECH dimmer lighting is an integrated lighting solution that can be added to any Suntech systems.



LED-TECH high powered lighting

LED-TECH lighting is an integrated lighting solution that can be added to any Suntech system.

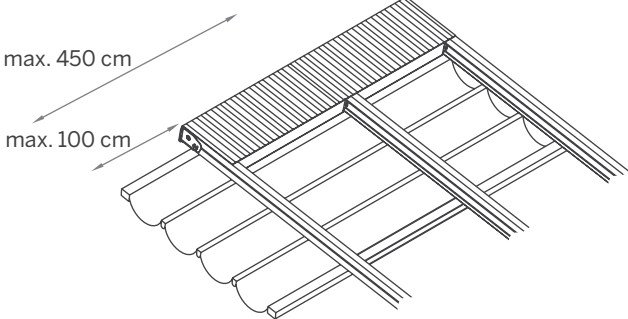


Decorative fabric under layer

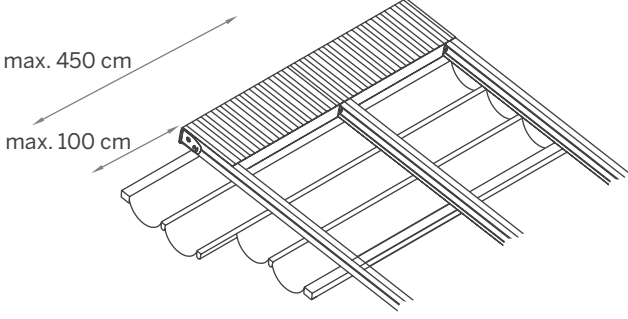
The second decorative fabric under layer of fabric can provide an elegant touch of design.

Radian

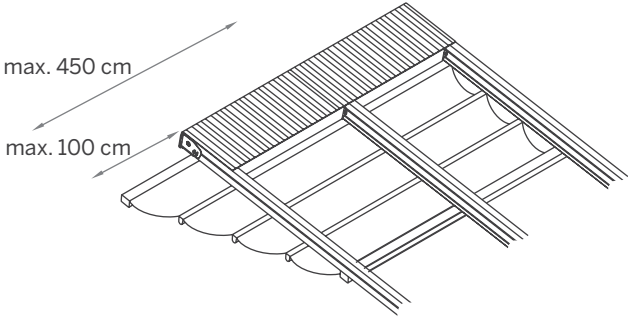
type I

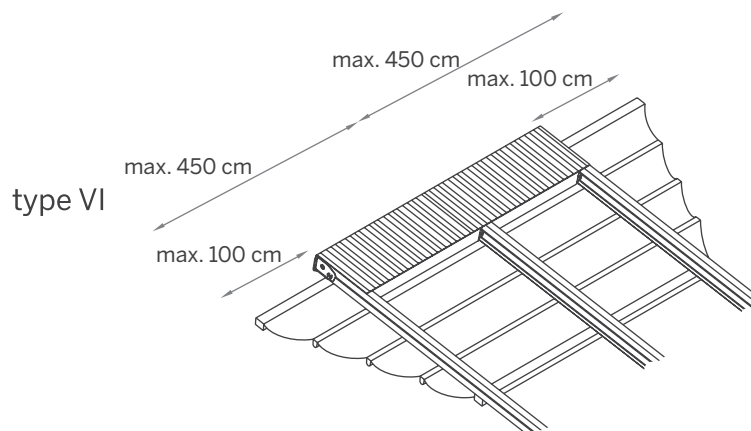
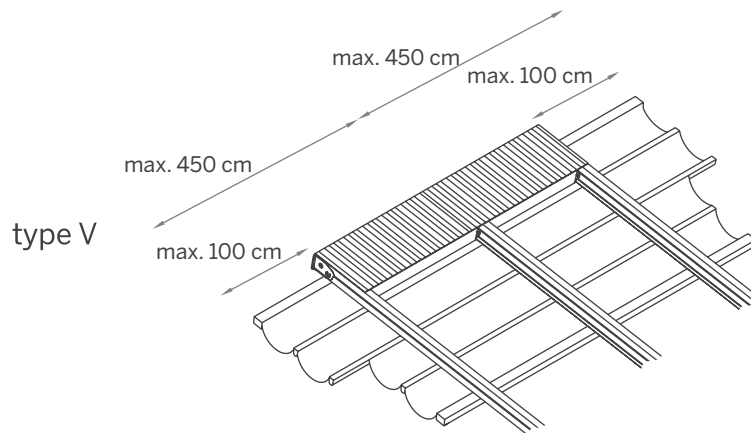
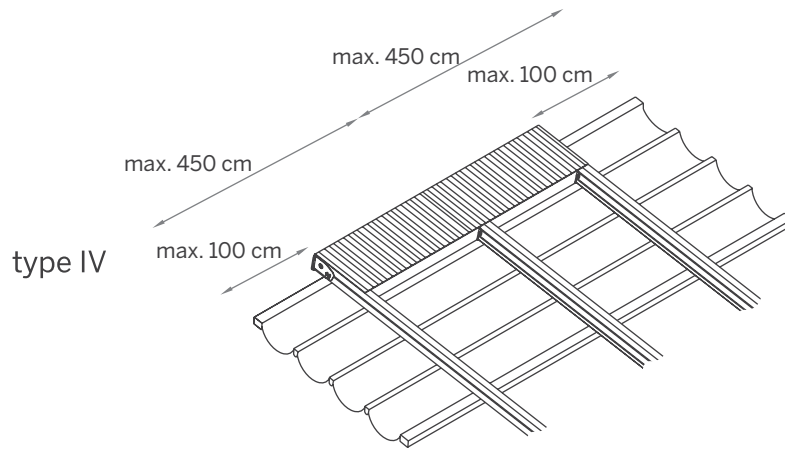


type II



type III



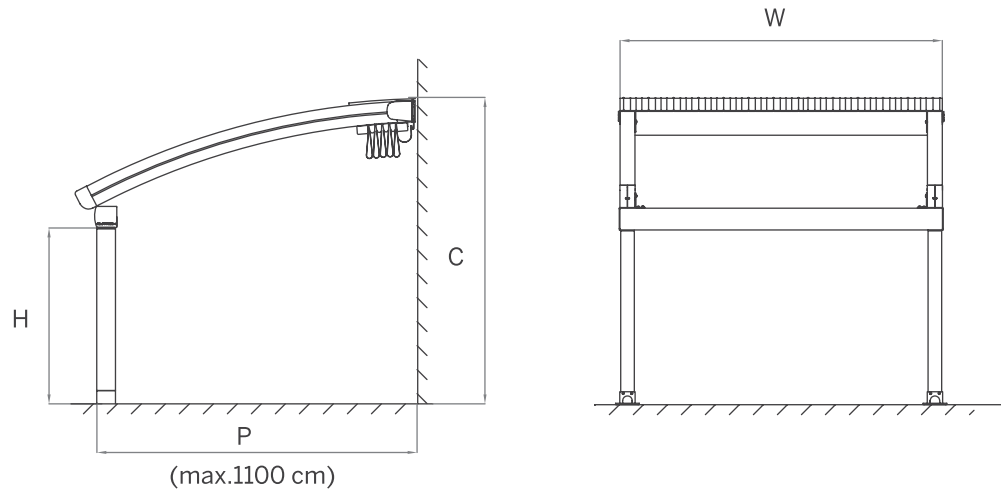


Each system is available with an optional overhang to allow the covered area to protrude past the rafter profile. Site specific overhang solutions such as stepped or wedge shapes are also an effective way to get maximum coverage for your areas.

Radian

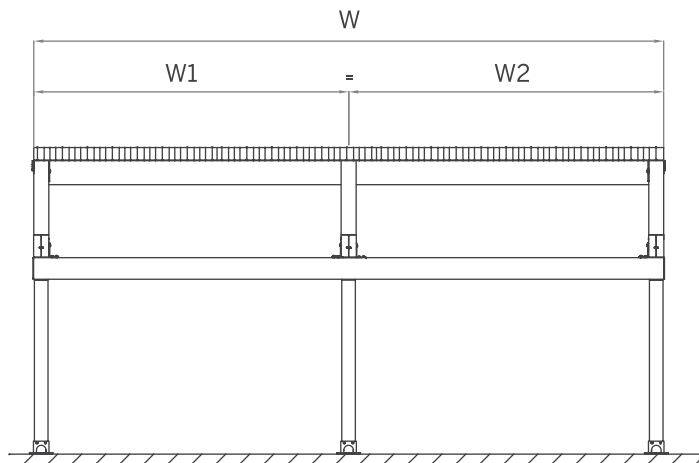
One Module

200 cm > 450 cm
One Module with one motor & 2 rafters



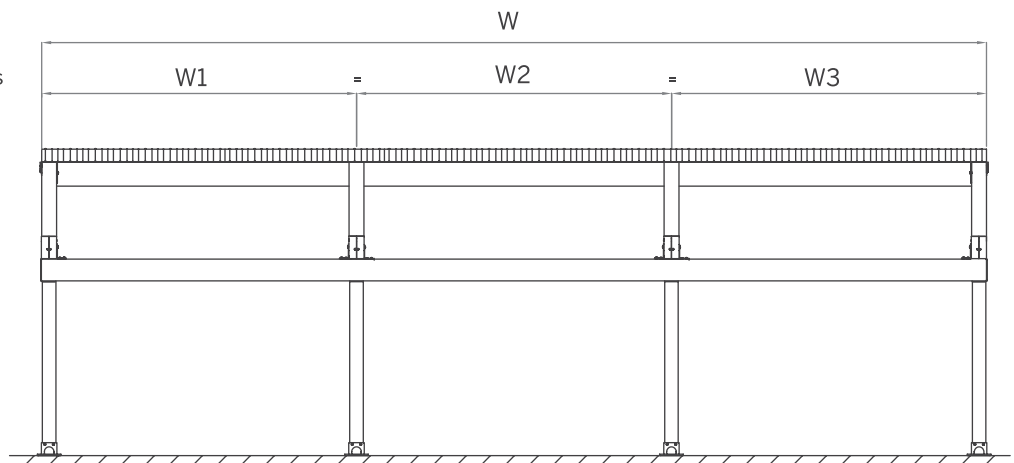
Two Modules

450 cm > 900 cm
Two Modules with one motor & 3 rafters



Three Modules

900 cm > 1300 cm
Three Modules with two motors & 4 rafters



Company Name:
Order Reference:

Order Date:
Quantity:

SERIAL XL LT

DIMENSIONS

W - Total Width..... cm

P - Projection..... cm

C - Wall / Back Height..... cm

H - Front / Post Height..... cm

Total Number of Posts Required.....pc
(Maximum span between posts with gutter profile is 600cm)

If modules are multiple and each module is in different width, please provide details (max. width for single module is 450cm, double modules 900cm, triple modules 1300cm)

W 1.....cm

W 2.....cm

W 3.....cm

POWDERCOAT COLORS

RAL colors Exclusive colors Texture colors

RAL 9016 OGN35 ST9010 Other...
 RAL 1013 OS561 ST9001
 RAL 9006 OY395 ST1013
 RAL 7006 OGN39 ST7039
 RAL 7016 ON617 ST7016
 RAL 9005 ON611 ST8019

FABRIC

Basic Semi Transparent
 WT785 / White STRW22 / White Other...
 CR295 / Cream STRB33 / Black
 Xclusive Matt
 WTEX / White MW23 / White
 CRMX / Cream MC26 / Cappuccino
 GRYX / Grey

OPTIONALS

STANDARD High Power Led Lighting Supporting Steel Structure With Post
 HDD LUX High Power Led Lighting Supporting Steel Structure With Post (Galvanized)
 Dimmer Kit Wall Installation Steel Beam
 Aerofoil Louvre (Line).....pc Wall Installation Steel Beam (Galvanized)
 Side Rafter.....cm Additional Post Of Supporting Steel Structure..... pc
 Quantity..... pc
 Support Post of Side Rafter..... cm Additional Post Of Supp. Steel Str. (Galvanized)..... pc
 Quantity.....pc
 Gutter Flush with Rafter (Type B-Flush Finish) Side Overhang (max. 100cm per side) Type..... (I / II / III / IV / V / VI)
 Left Overhang:.....cm Right Overhang:.....cm
 Additional Rail..... pc Storm Channel for Joining System & Double Rafter Wall
 Bracket Kit (for Multiple Systems)

INSTALLATION BRACKET

Wall Bracket Ceiling Bracket

POST INSTALLATION BASE

Type A (Arch Opening) Type AA (Without Extension)
 Type B (Spout) Type BB (Without Extension)
 Type Hidden

ADDITIONAL NOTES & DRAWINGS ATTACHED