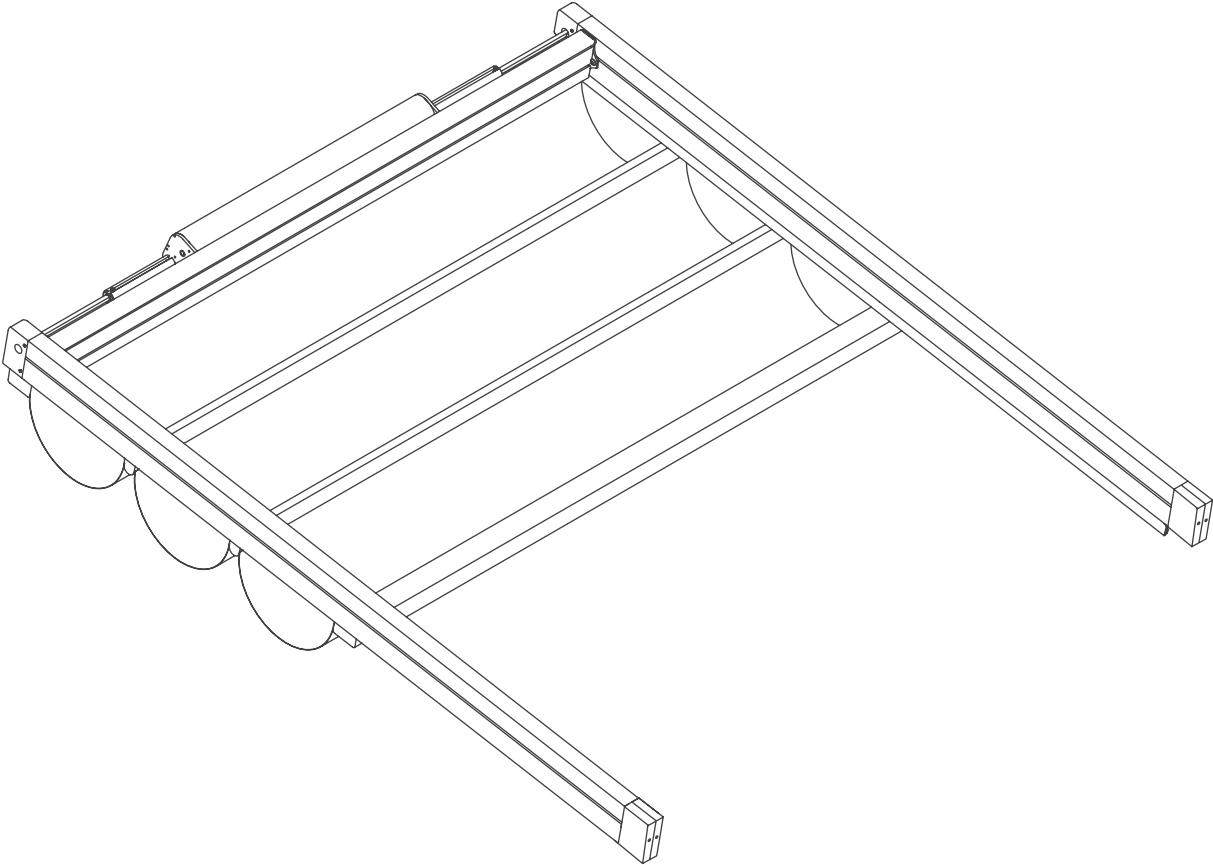


Pure



Pure retractable roof system

The PURE retractable roof system allows a flexible integration solution between existing timber or steel structures with an operable architectural roof to enable outdoor areas to be used in any weather conditions. The system offers a wind rating up to Beaufort class 11 (up to 117km/h).

The system is manufactured to size using high grade 6063 extruded aluminium profiles finished with thermosetting powder coating which provides superior overall performance for exterior product applications. All bolts, screws and pins are high grade stainless steel to ensure extended system life.

The PURE rafter profiles (60mm x 125mm) have been designed with unique water guard side and top channels for ease of attachment to any structure and allow for projection dimension up to 10m in a single system. The width dimension of the system is site specific and available in any size up to 13m. Overall the PURE can offer up to 130sqm of protection with a touch of button but linking multiple systems is also possible and made easy by our patented storm channel joining system that ensures 100% waterproof join every time.

Remote controlled motorisation is provided by utilising European technology through a custom built direct drive motor system to ensure smooth and quick operation at 26RPM. The optional hi powered LED-TEC lighting system provides a practical touch of class and when coupled with a remote dimming controller allows the user to change the mood to suit the surrounding environment.

The heart of the system is driven by multiple Suntech F2 four wheeled slider carriages (each F2 slider carriage has a load limit of 600kgs) that incorporates triple layer barrier system and works in conjunction with a timing belt that has been reinforced with multiple internal stainless steel cables to provide a pulling strength of over 966kg. This tension is applied to the fabric membrane to allow an angle of 6 degrees fall possible and ensure all water drains away.

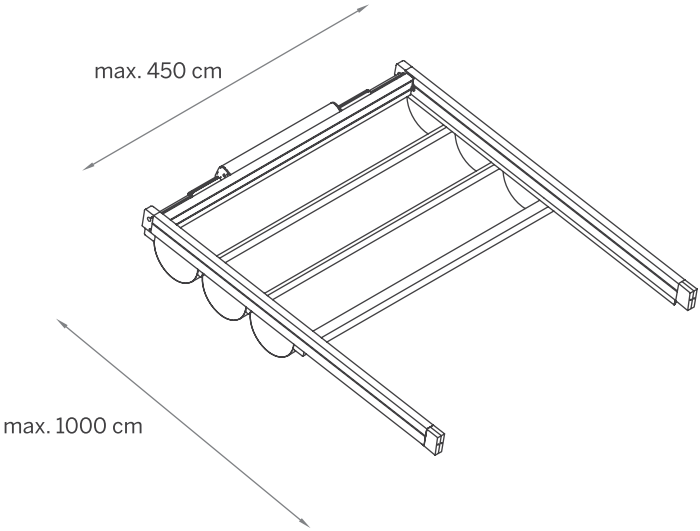
The fire rated and 100% waterproof architectural membrane is available in a range of colours in both opaque and transparent that provides maximum stability and resistance to temperature, moisture and dirt. It does not shrink or bag, and the acrylic top coating makes it very easy to clean for years to come. When not in use the fabric is neatly retracted under the systems hood to provide protection from the elements when not required.

To ensure the highest level of protection Suntech systems focus on all the details, this is why all Suntech systems come standard finished with Stormguard soft touch edge seal on all parameters. Stormguard provides the ultimate protection against rain and draught intrusion around the outside of the system and is only available on our systems. Stormguards soft touch edge seal is produced from an extra soft & flexible rubber to ensure the best possible protection from the elements

Pure

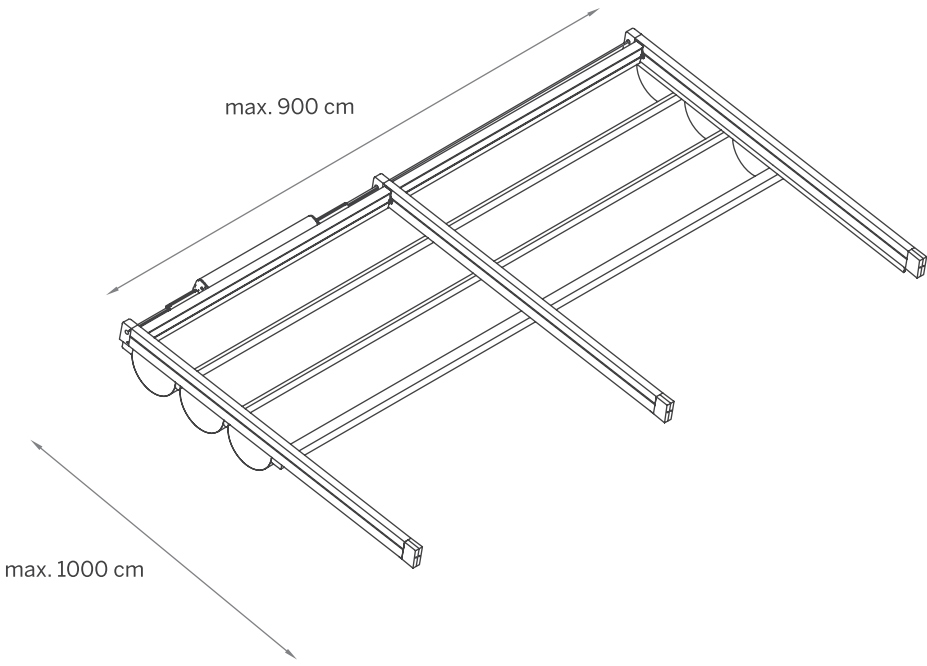
One Module

200 cm > 450 cm
One Module with one motor & 2 rafters



Two Modules

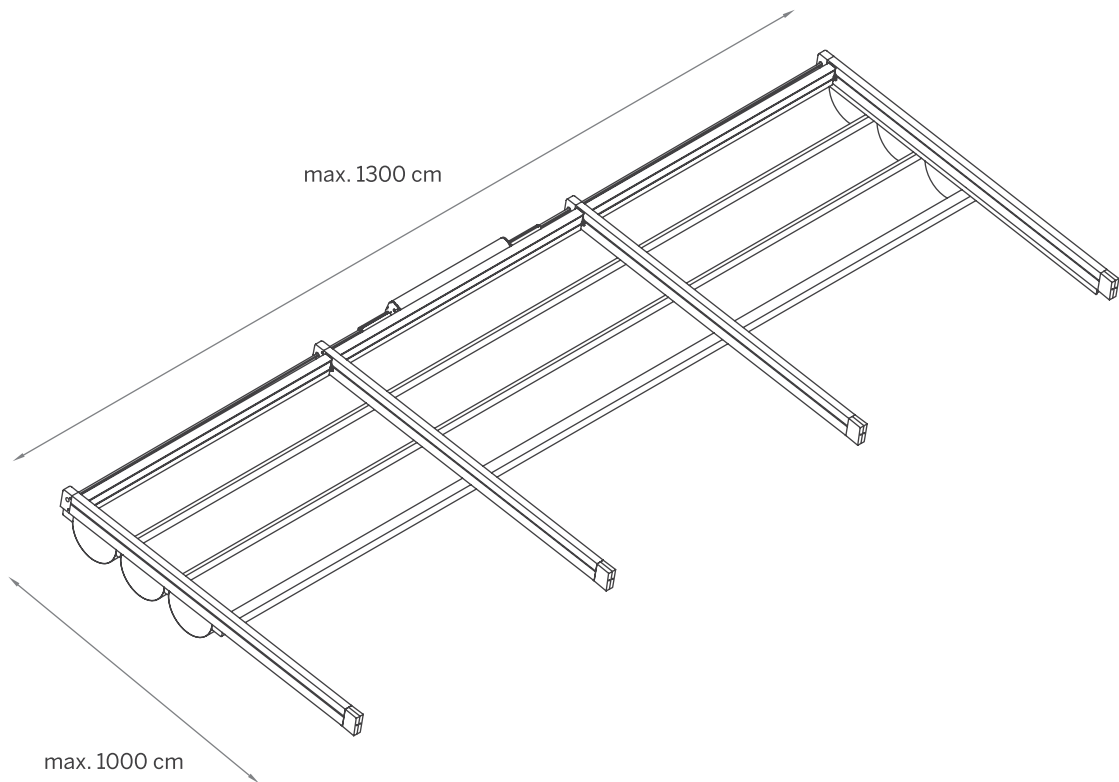
450 cm > 900 cm
Two Modules with one motor & 3 rafters



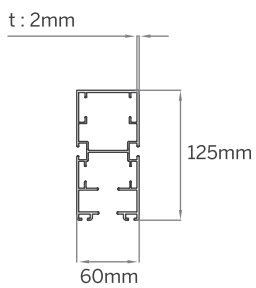
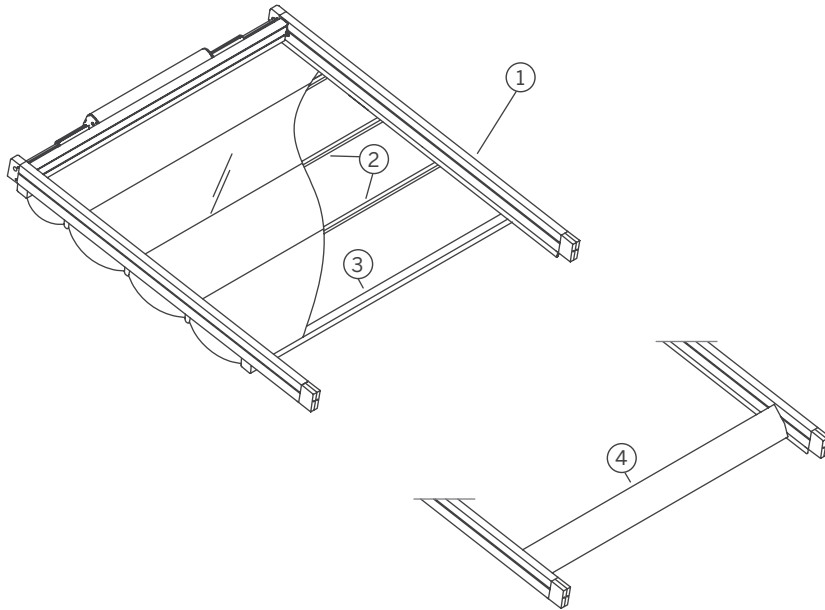
Three Modules

900 cm > 1300 cm

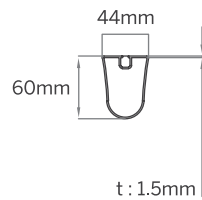
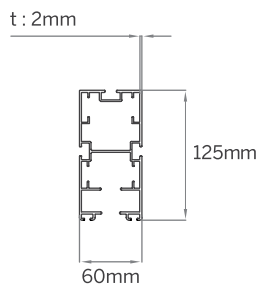
Three Modules with one motor & 4 rafters



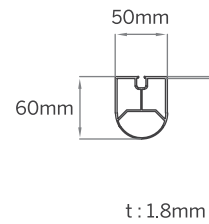
Pure



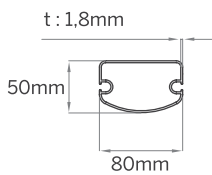
① Rafter



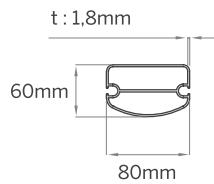
② Fabric Support (Standart)



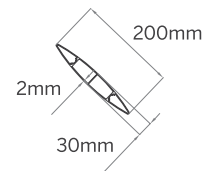
② Fabric Support (HDD Lux)



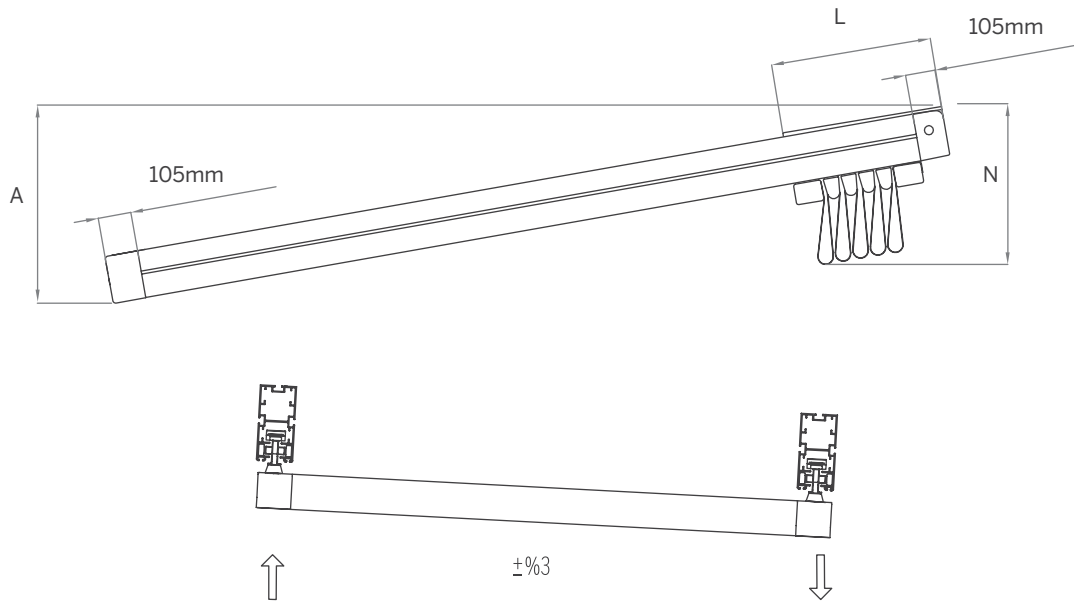
③ Puller Profile (Standart)



③ Puller Profile (HDD Lux)



④ Aerofoil Louvre

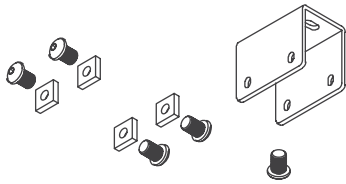


Pure

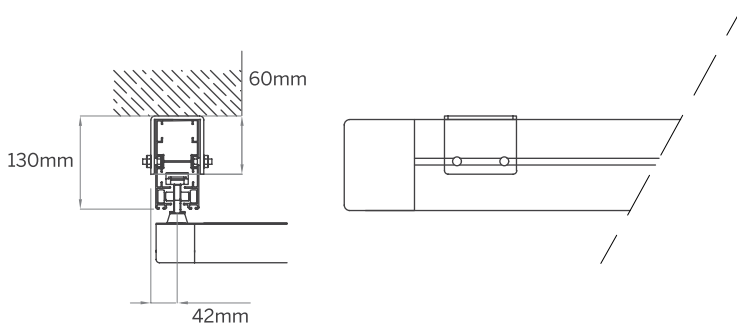
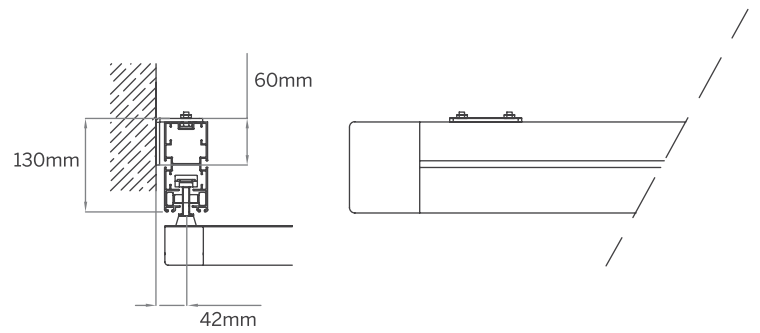
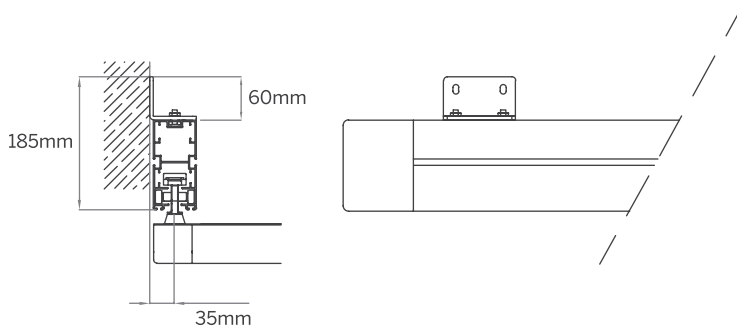
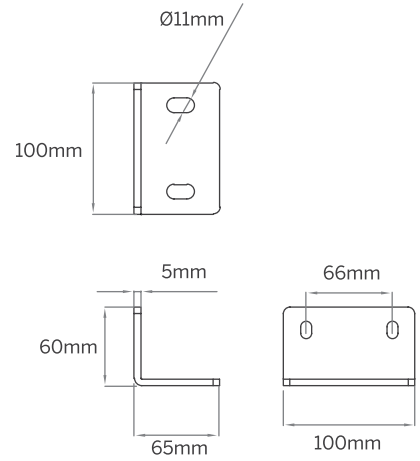
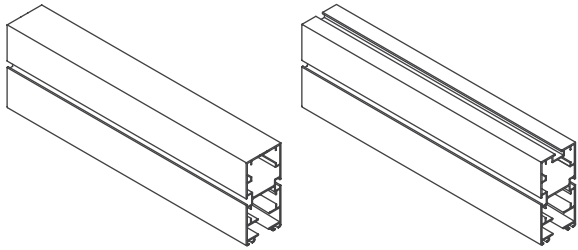
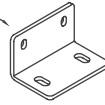
	Fabric Height	Hood	Fall	Fab.Sup.Profiles
	(N) mm	(L) mm	(A) mm	pc
300	417	672	495	7
350	409	811	555	9
400	424	881	615	10
450	437	950	675	11
500	449	1020	735	12
550	461	1089	799	13
600	472	1159	860	14
650	483	1228	920	15
700	494	1298	982	16
750	504	1367	1045	17
800	510	1506	1105	19
850	520	1576	1165	20
900	531	1645	1230	21
950	541	1715	1280	22
1000	551	1784	1351	23

Pure

Standart hang support

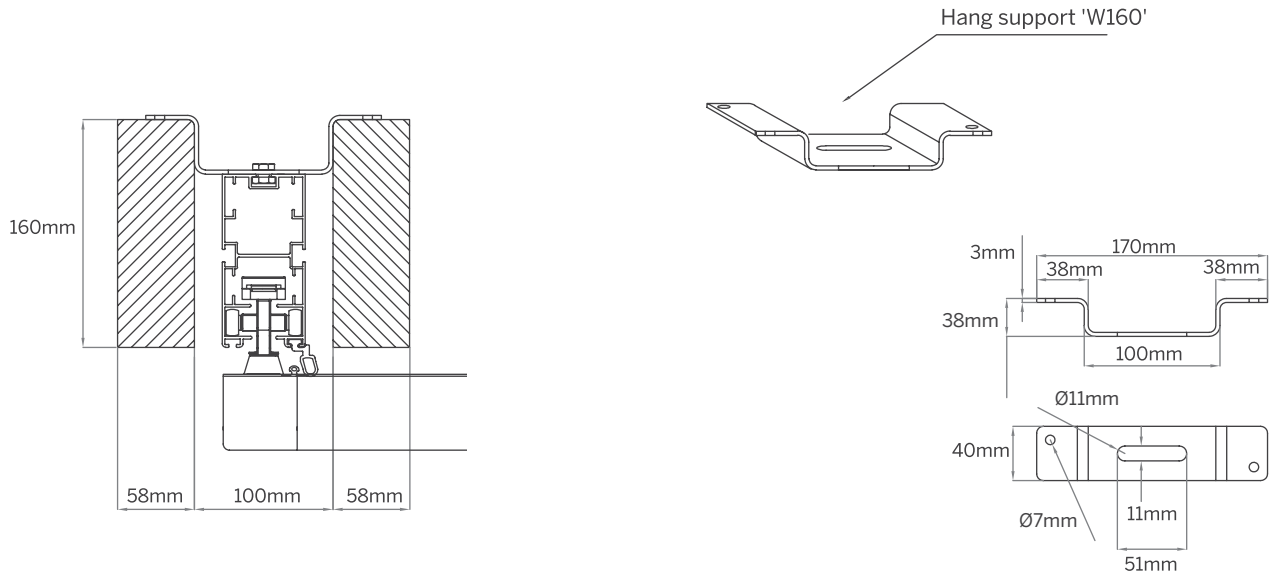


Hang support 'L'

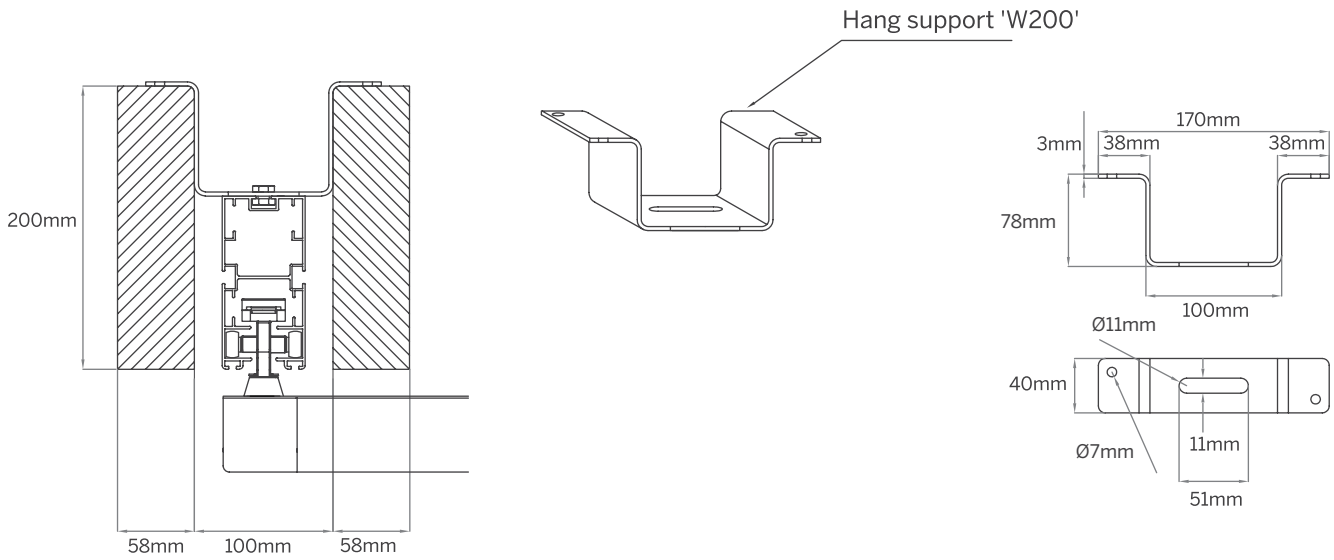


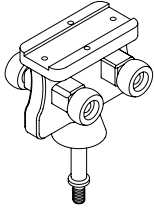
Installation on existing structure

Up to 700cm projection, 'Hang support W160' is used



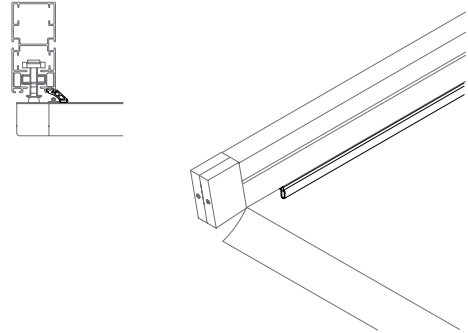
700-1000cm projection, 'Hang support W200' is used





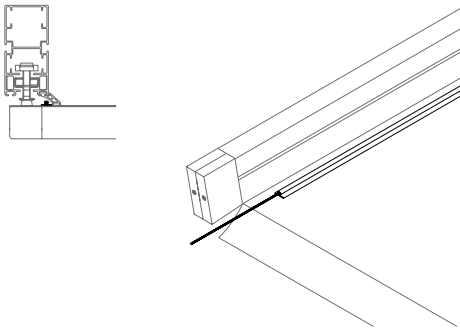
F2 Four wheel slider

Four vertical rollers working together for perfectly smooth operation every time. The F2 four wheeled system is proven to remove the jamming issue and can take loads of upto 600KG.



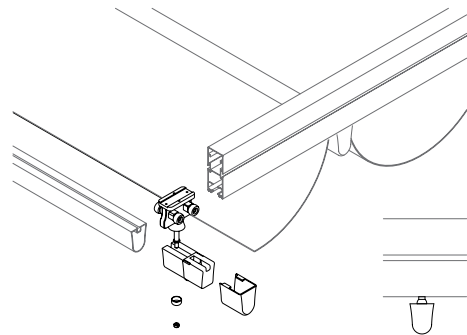
Rafter stormguard edge seal

The rafter Stormguard edge seal stops water from dripping over the side of the system by providing a soft cushioning barrier along the side of the system.



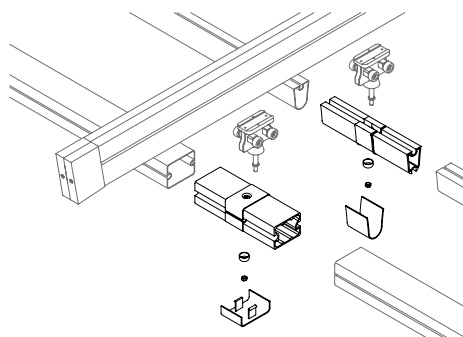
Fabric anti-drop edge cord with electrical cable

The fabric anti-drip edge cord with integrated lighting electrical cable works in conjunction with the Stormguard edge seal to prevent any water leaks over the side of the system.



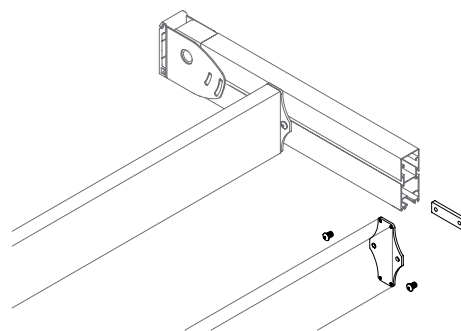
F2 slider and fabric profile assembly

The system has been designed for ease of assembly to save time on installations and reduce the number of staff required.



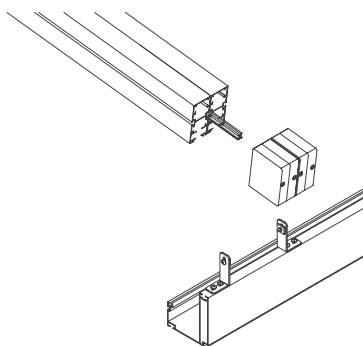
Easy clip intermediate joints (for 2 & 3 module systems)

The Easy clip intermediate joints have been designed for ease of site assembly to save time and reduce the number of staff required.



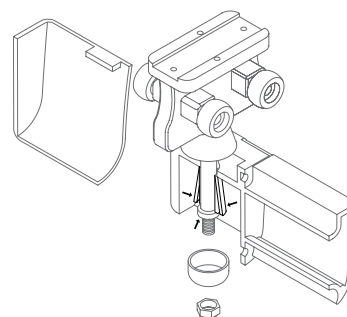
Motorbox support & hood support profile easy installation

Each support profile is easy to install and simple to adjust at the time of installation.



Storm channel for joining system

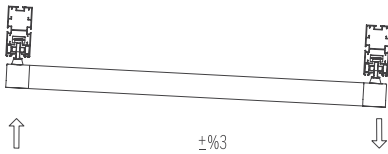
The storm channel is patented solution for joining two systems side by side with a waterproof join.



F2 slider easy clip installation

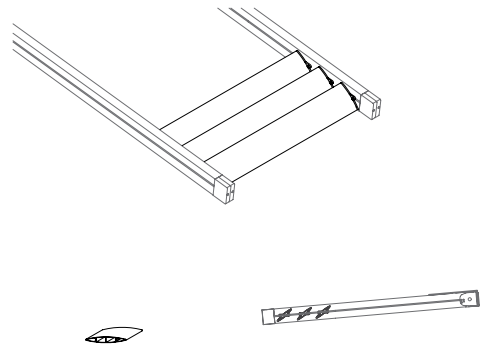
The F2 system has been designed for ease of use, to save time on installations and reduce the number of staff required. Each F2 slider can take loads of upto 600KG once in place.

Pure



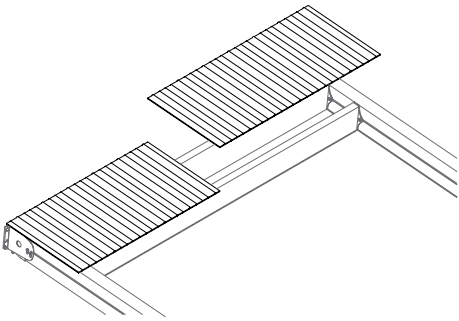
Suntech side fall

System detail for side fall installations.



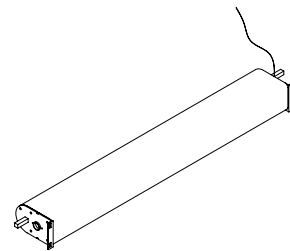
Aerofoil Louvres

The addition of Aerofoil louvres can provide added shade when the system is closed.



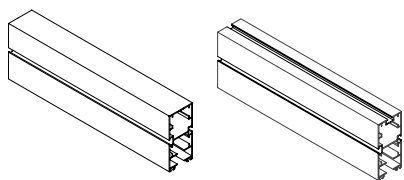
Hood profile sheets

Suntech's hood profile sheets provide an attractive covering solution for the system when not in use. The low profile aesthetic design offers additional protection to the system with a chic touch.



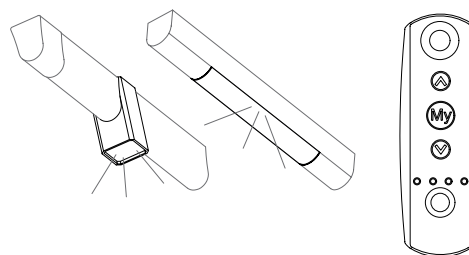
Compact 26rpm direct drive motor box

The Suntech direct drive motor system is a quick and efficient system that drives all conveyor rafters at the same time. The low profile design also allows the fabric to be stored underneath the motor which saves additional space.



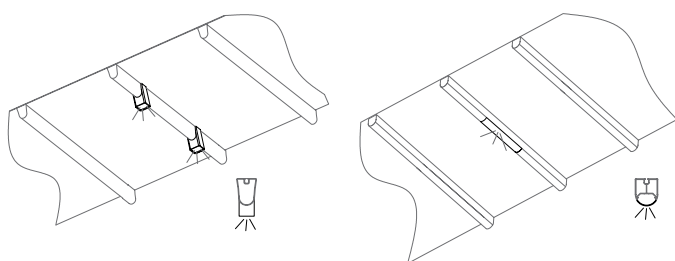
Rafter profile with top and side channel options for easy installation

The Suntech rafter profiles are designed with functional top and side channel options for easy installation.



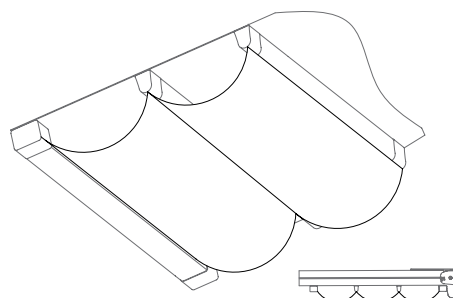
LED-TECH dimmer setup

LED-TECH dimmer lighting is an integrated lighting solution that can be added to any Suntech systems.



LED-TECH high powered lighting

LED-TECH lighting is an integrated lighting solution that can be added to any Suntech system.

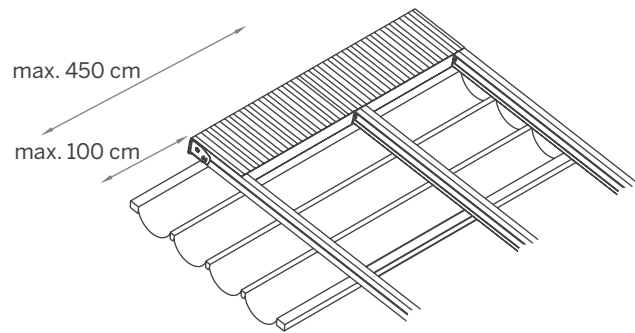


Decorative fabric under layer

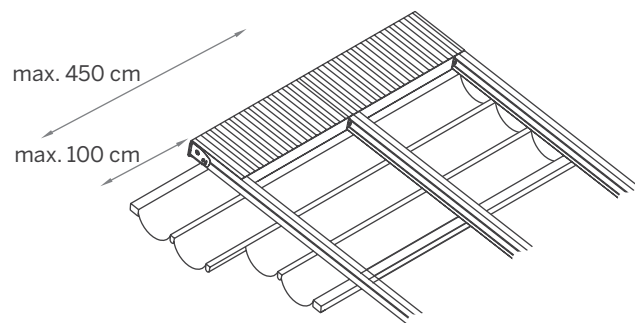
The second decorative fabric under layer of fabric can provide an elegant touch of design.

Pure

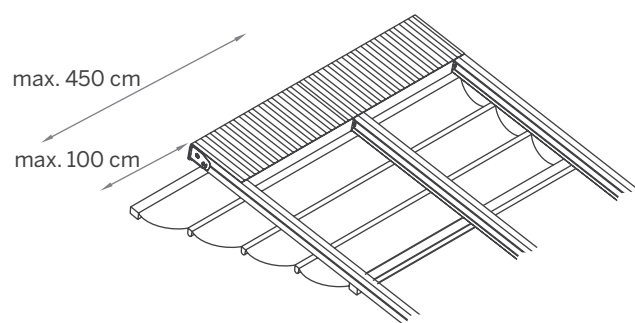
type I

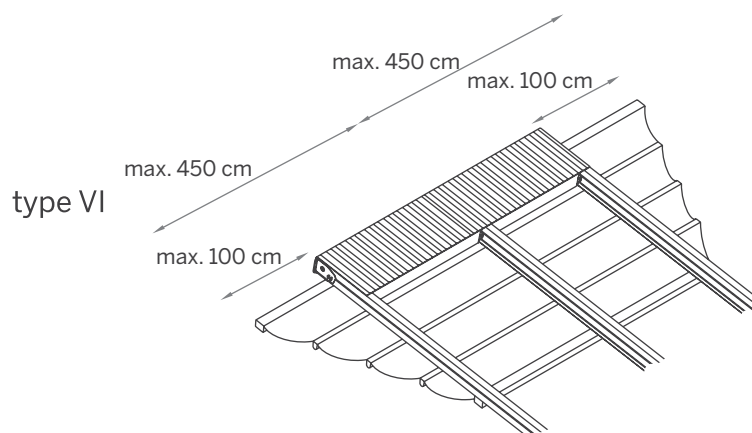
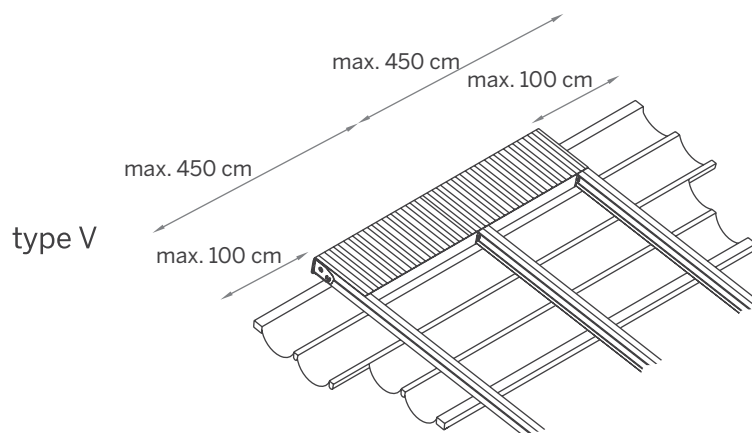
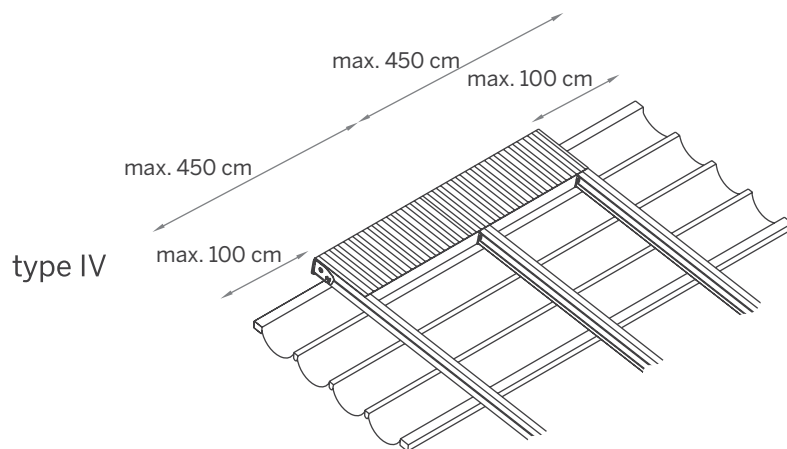


type II

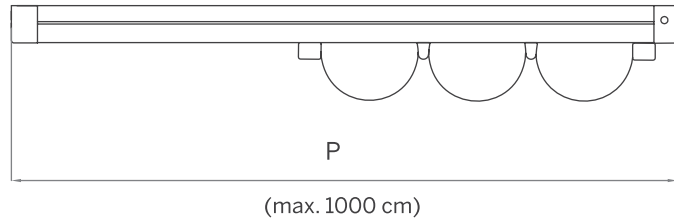


type III



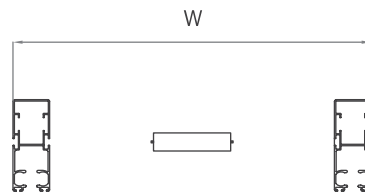


Each system is available with an optional overhang to allow the covered area to protrude past the rafter profile. Site specific overhang solutions such as stepped or wedge shapes are also an effective way to get maximum coverage for your areas.



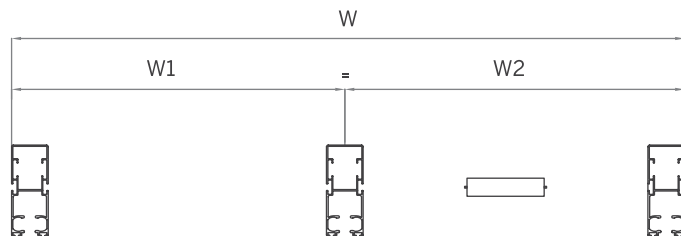
One Module

200 cm > 450 cm
One Module with one motor & 2 rafters



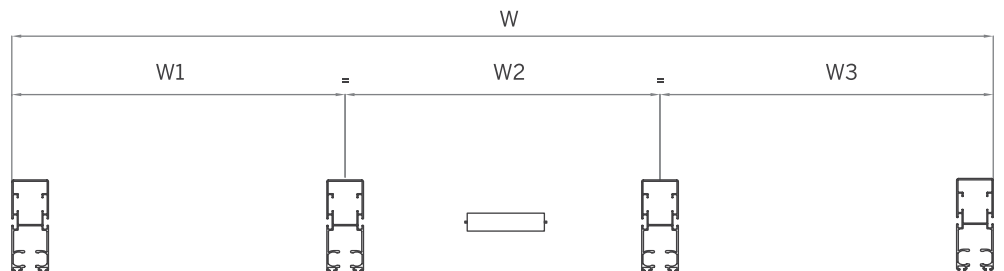
Two Modules

450 cm > 900 cm
Two Modules with one motor & 3 rafters



Three Modules

900 cm > 1300 cm
Three Modules with one motor & 4 rafters



Company Name:
Order Reference:

Order Date:
Quantity:

DIMENSIONS

W - Total Width cm
P - Projection cm

If modules are multiple and each module is in different width, please provide details (max. width for single module is 450cm, double modules 900cm, triple modules 1300cm)

W 1 cm
W 2 cm
W 3 cm

POWDERCOAT COLORS

RAL colors	Exclusive colors	Texture colors	
<input type="checkbox"/> RAL 9016	<input type="checkbox"/> OGN35	<input type="checkbox"/> ST9010	<input type="checkbox"/> Other...
<input type="checkbox"/> RAL 1013	<input type="checkbox"/> OS561	<input type="checkbox"/> ST9001	
<input type="checkbox"/> RAL 9006	<input type="checkbox"/> OY395	<input type="checkbox"/> ST1013	
<input type="checkbox"/> RAL 7006	<input type="checkbox"/> OGN39	<input type="checkbox"/> ST7039	
<input type="checkbox"/> RAL 7016	<input type="checkbox"/> ON617	<input type="checkbox"/> ST7016	
<input type="checkbox"/> RAL 9005	<input type="checkbox"/> ON611	<input type="checkbox"/> ST8019	

FABRIC

Basic	Semi Transparent	
<input type="checkbox"/> WT785 / White	<input type="checkbox"/> STRW22 / White	<input type="checkbox"/> Other...
<input type="checkbox"/> CR295 / Cream	<input type="checkbox"/> STRB33 / Black	
Xclusive	Matt	
<input type="checkbox"/> WTEX / White	<input type="checkbox"/> MW23 / White	
<input type="checkbox"/> CRMX / Cream	<input type="checkbox"/> MC26 / Cappuccino	
<input type="checkbox"/> GRYX / Grey		

OPTIONALS

STANDARD High Power Led Lighting

HDD LUX High Power Led Lighting

Dimmer Kit

Aerofoil Louvre (Line).....pc

Side Overhang (max. 100cm per side) Type..... (I / II / III / IV / V / VI)
Left Overhang:.....cm Right Overhang:.....cm

Additional Rail.....pc

INSTALLATION BRACKET

Standart hang support 'U' Hang support 'L'

Hang support 'W160' Hang support 'W200'

ADDITIONAL NOTES & DRAWINGS ATTACHED